

LUMINAIRE SCHEDULE											
CALLOUT	SYMBOL	LAMP	DESCRIPTION	BALLAST WITH DRIVER	MOUNTING	MODEL	TOTAL VA	VOLTS	NOTE 1	NOTE 2	NOTE 3
A1		(1) 200W LED	FULL CUTOFF AREA LUMINAIRE; ONE PIECE HOUSING MOUNTS DIRECTLY TO POLE; DIE CAST ALUMINUM INTEGRAL THERMAL RADIATION FINS; TYPE III DISTRIBUTION; SURGE PROTECTION OPTION; BLACK PAINT FINISH	LED	POLE	PHILIPS GARDCO GULLWING GL18-1-3-200LA-NW -UNIV-BLP-SPR	200	277	SEE TYPE "A" POLE BASE DETAIL 5/E-4.1	24' POLE, BLACK PAINT FINISH, 4" SQUARE 24.5' + MOUNTING HEIGHT	
A2		(1) 200W LED	FULL CUTOFF AREA LUMINAIRE; ONE PIECE HOUSING MOUNTS DIRECTLY TO POLE; DIE CAST ALUMINUM INTEGRAL THERMAL RADIATION FINS; TYPE III DISTRIBUTION; PHOTO CONTROL OPTION; SURGE PROTECTION OPTION; BLACK PAINT FINISH	LED	POLE	PHILIPS GARDCO GULLWING GL18-1-3-200LA-NW -UNIV-BLP-PC-SPR	200	208	SEE TYPE "A" POLE BASE DETAIL 5/E-4.1	24' POLE, BLACK PAINT FINISH, 4" SQUARE 24.5' + MOUNTING HEIGHT	
B		(1) 54W LED	POST TOP MOUNTED FIXTURE, ALUMINUM HOUSING, ALUMINUM TOP SHADE, ALUMINUM LOUVERS BLADES, INNER WHITE ENAMEL REFLECTOR, AND JET BLACK FINISH. PROVIDE WITH INTEGRAL FUSE AND PHOTOCELL.	LED	POLE	LUMINIS W600-L1W56 SERIES	54	277	TYPE 3 DISTRIBUTION	POLE MODEL - LUMINIS PAA4 SERIES POLE DESCRIPTION - 12" X 4" DIA. STRAIGHT ALUMINUM POLE, WITH JET BLACK FINISH ON CONCRETE BASE.	80 CRI, 4000K
B2		(1) 54W LED	POST TOP MOUNTED FIXTURE, ALUMINUM HOUSING, ALUMINUM TOP SHADE, ALUMINUM LOUVERS BLADES, INNER WHITE ENAMEL REFLECTOR, AND JET BLACK	LED	POLE	LUMINIS W600-L1W56 SERIES	54	277	TYPE 4 DISTRIBUTION	POLE MODEL - LUMINIS PAA4 SERIES POLE DESCRIPTION - 12" X 4" DIA. STRAIGHT ALUMINUM POLE, WITH JET BLACK FINISH ON CONCRETE BASE.	80 CRI, 4000K
C		(1) 112W LED	STAINLESS STEEL PEDESTRIAN COLUMN LIGHT; LED 500 SERIES	LED	POLE	LIGHT COLUMN PEDESTRIAN LED (SERIES 600)	112	277	PROVIDE CONCRETE FOUNDATION/ MOUNTING PER MANUFACTURER'S INSTRUCTION.		

POWER SYMBOL LIST	
SYMBOL	DESCRIPTION
	DUPLEX CONVENIENCE OUTLET MOUNTED IN FLUSH BOX AT +18" AFF UNLESS NOTED OTHERWISE.
	DUPLEX CONVENIENCE OUTLET MOUNTED IN SURFACE BOX AT +18" AFF UNLESS NOTED OTHERWISE.
	DOUBLE DUPLEX CONVENIENCE OUTLET, +18" AFF UNLESS NOTED OTHERWISE.
	DUPLEX CONVENIENCE OUTLET MOUNTED W/INTEGRAL GROUND FAULT INTERRUPTER, +18" AFF UNLESS NOTED OTHERWISE.
	DUPLEX CONVENIENCE OUTLET WITH WEATHER PROOF COVER
	GROUND ROD.

WIRING / EQUIP CONNECT SYMB LIST	
SYMBOL	DESCRIPTION
	JUNCTION BOX, SURFACE MOUNTED AT +18" AFF UNLESS NOTED OTHERWISE.
	JUNCTION BOX WITH FLEXIBLE CONDUIT CONNECTION.
	BRANCH CIRCUIT CONDUIT, CONCEALED IN WALL OR CEILING.
	BRANCH CIRCUIT CONDUIT, CONCEALED IN FLOOR OR UNDERGROUND.
	BRANCH CIRCUIT CONDUIT, RUN EXPOSED.
	TELEPHONE SYSTEM CONDUIT, 3/4" C.O. UNLESS NOTED OTHERWISE.
	DATA SYSTEM CONDUIT.
	BARE COPPER GROUND CONDUCTOR.
	CONDUIT RUN TURNED UP.
	CONDUIT RUN TURNED DOWN.
	CONDUIT RUN STUBBED OUT.
	BRANCH CIRCUIT HOMERUN WITH PANEL AND CIRCUIT DESIGNATED.
	INDICATES NEW CONDUCTORS IN EXISTING CONDUIT.
	FLEXIBLE CONDUIT W/ POINT OF CONNECTION.
	POINT OF CONNECTION.
	CABLE TRAY.

SITE UTILITIES SYMBOL LIST	
SYMBOL	DESCRIPTION
	ELECTRICAL HANDHOLE FLUSH IN GRADE.
	ELECTRICAL MANHOLE FLUSH IN GRADE.
	TELEPHONE SYSTEM HANDHOLE.
	TELEPHONE SYSTEM MANHOLE.
	TRANSFORMER
	CONCRETE PULLBOX FLUSH IN GRADE, SIZE AS INDICATED ON PLANS.

ABBREVIATIONS	
SUFFIX	DESCRIPTION
AFG	ABOVE FINISH GRADE.
AWG	AMERICAN WIRE GAUGE.
AMP, A	AMPERE.
A.I.C.	AMPERES INTERRUPTING CAPACITY (SYMMETRICAL).
BLDG	BUILDING.
CIRC, CKT.	CIRCUIT.
CB	CIRCUIT BREAKER.
C	CONDUIT.
C.O.	CONDUIT ONLY, COMPLETE WITH PULLSTRING.
DIA	DIAMETER.
DIST	DISTRIBUTION.
EMT	ELECTRICAL METALLIC TUBING.
FT or'	FEET.
FLA	FULL LOAD AMPS.
GRND	GROUND.
GFCI	GROUND FAULT CIRCUIT INTERRUPTER.
H,W,D,L	HEIGHT, WIDTH, DEPTH, LENGTH.
HID	HIGH INTENSITY DISCHARGE.
HPS	HIGH PRESSURE SODIUM.
IN, or"	INCHES.
JBOX	JUNCTION BOX.
KVA	KILOVOLT AMPERES.
KW	KILOWATT.
L.F.	LINEAR FEET.
LTS	LIGHTING.
LPS	LOW PRESSURE SODIUM.
MAX.	MAXIMUM.
MCB	MAIN CIRCUIT BREAKER.
MH	METAL HALIDE.
MIN.	MINIMUM.
MFR.	MANUFACTURER.
MTD	MOUNTED.
NEC	NATIONAL ELECTRICAL CODE.
NEMA	NATIONAL ELECTRICAL MANUFACTURER'S ASSOCIATION.
NIC	NOT IN CONTRACT.
N.T.S.	NOT TO SCALE.
NO, or #	NUMBER.
PC	PHOTOCELL.
P	POLE.
PVC	POLY VINYL CHLORIDE.
PROVIDE	FURNISH, INSTALL AND CONNECT.
REC, RECEPT	RECEPTACLE.
RGS	RIGID GALVANIZED STEEL.
SQ.	SQUARE.
SU	SITE UTILITIES.
TC	TIMELOCK.
T.V.S.S.	TRANSIENT VOLTAGE SURGE SUPPRESSION.
TYP	TYPICAL.
U.O.N.	UNLESS OTHERWISE NOTED.
V	VOLTS.
VA	VOLT AMPERES.
VD	VOLTAGE DROP.
WP	WEATHERPROOF.
W	WIRE.
XFMR	TRANSFORMER.
X	INDICATES EXISTING TO REMAIN.
XR	INDICATES EXISTING TO BE REMOVED.
XL	INDICATES EXISTING TO BE RELOCATED.
XN	INDICATES NEW LOCATION OF RELOCATED EQUIPMENT.

VOLTAGE DROP SCHEDULE		
CIRCUIT	WIRE SIZE	TOTAL VOLTAGE DROP
PARKING LTS	#8	1.23%
LPH-8	#8	1.95%
LPH-10	#10	0.13%
LPH-12	#8	0.98%

PARKING LIGHT LOAD SUMMARY PARKING STRUCTURE TRANSFORMER	
EXISTING CONNECTED LOAD	648 WATTS
NEW CONNECTED LOAD	800 WATTS
TOTAL LOAD	1448 WATTS
1448 WATTS @ 208V, 1PH = 6.96 AMPS	

SHEET INDEX	
Sheet Number	Sheet Title
E-1.0	ELECTRICAL COVER SHEET
E-2.0	ELECTRICAL SITE PLAN
E-2.1	ELECTRICAL SITE PLAN
E-2.2	ELECTRICAL SITE PLAN
E-2.3	ELECTRICAL SITE PLAN
E-2.4	ELECTRICAL SITE PLAN
E-2.5	ELECTRICAL SITE PLAN
E-2.6	ELECTRICAL SITE PLAN
E-3.1	ELECTRICAL ENLARGED PLANS
E-4.1	ELECTRICAL DETAILS
E-5.1	TITLE 24 COMPLIANCE DOCUMENTATION
E-5.2	TITLE 24 COMPLIANCE DOCUMENTATION

SPECIAL NOTES FOR MIRAMAR COLLEGE:
THE FOLLOWING NOTES PROVIDED BY THE DISTRICT FOR CONTRACTOR REFERENCE:

CAUTION:
1. THE CONTRACTOR MAY ENCOUNTER OLD MILITARY ORDNANCE. THE CONTRACTOR SHALL NOTIFY THE DISTRICT IMMEDIATELY IF THEY ENCOUNTER ANY ORDNANCE.

2. GEOTECHNICAL INVESTIGATIONS FOR THE SURROUNDING IMPROVEMENTS DESCRIBE THE UNDERLYING SOILS AS SANDY CLAY OVER HIGHLY CEMENTED GRAVEL AND COBBLE CONGLOMERATE (LINDA VISTA FORMATION AND STADIUM CONGLOMERATE). NO GROUNDWATER WAS ENCOUNTERED. TRENCHING INTO THE LINDA VISTA FORMATION AND STADIUM CONGLOMERATE WILL BE DIFFICULT AND MAY REQUIRE HEAVY EQUIPMENT.

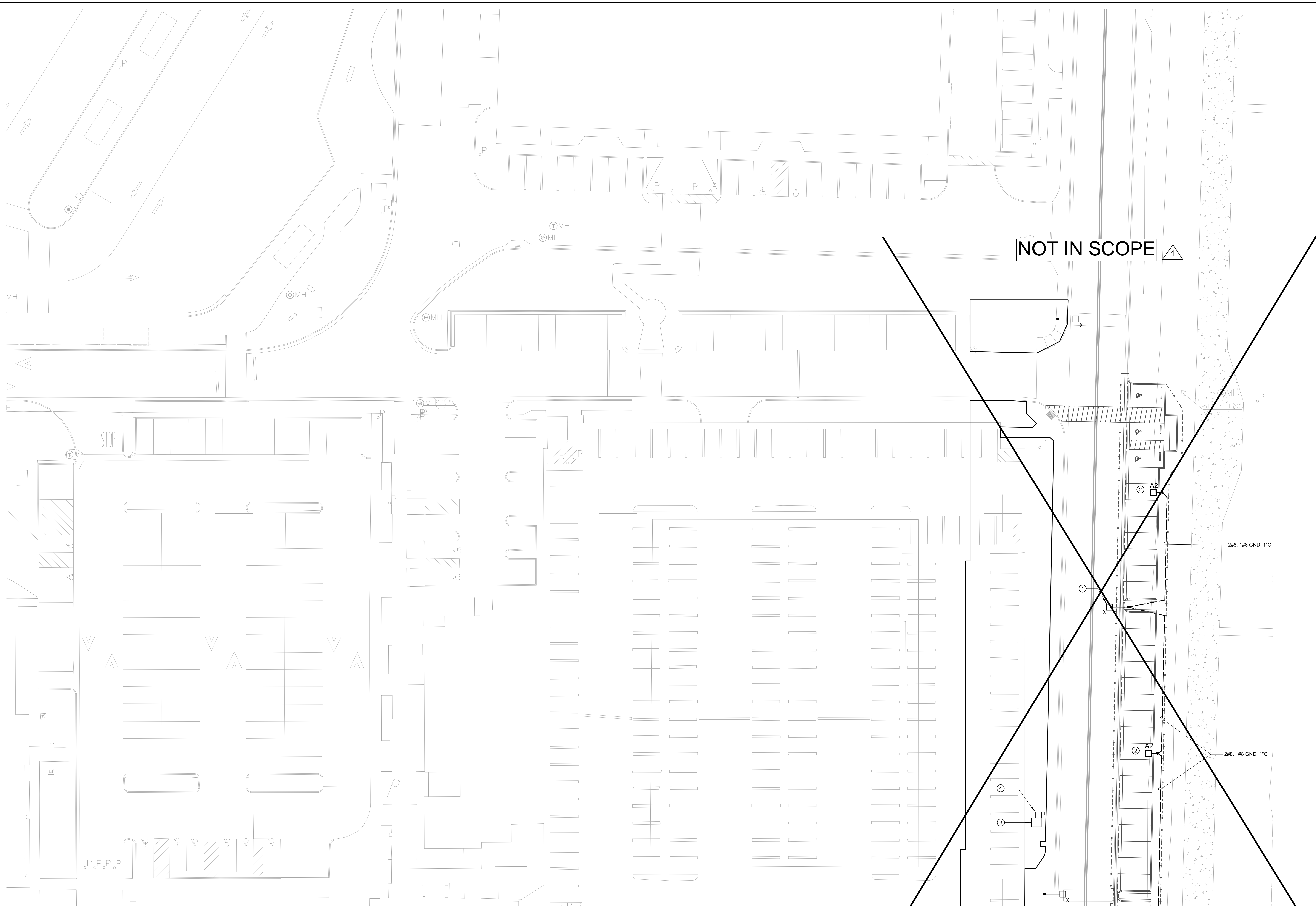


	APPROVED BY	APPROVED BY	DRAWN RG	ELECTRICAL COVER SHEET MIRAMAR COLLEGE INFRASTRUCTURE AND SITE DEVELOPMENT PHASE II (SOUTH) SCOPE "B" SAN DIEGO COMMUNITY COLLEGE DISTRICT	DATE SEPTEMBER 12, 2017
			CHECKED GR		SHEET 32
			REVISION 1		E-1.0 OF 46

KEYNOTES

- ① INTERCEPT EXISTING LIGHTING CIRCUIT AT EXISTING STREETLIGHT AND EXTEND AS INDICATED.
- ② NEW POLE MOUNTED LIGHT FIXTURES TO PROVIDE LIGHTING FOR NEW PARKING SPACES. PROVIDE EACH FIXTURE WITH PHOTOCELL.
- ③ EXISTING PARKING STRUCTURE TRANSFORMER. THIS IS POWER SOURCE FOR EXISTING STREET LIGHTS. 120/208V, 3PH, 4W SECONDARY.
- ④ EXISTING 30 AMP, 3 POLE, DISCONNECT SWITCH WITH TWO 20 AMP FUSES. THIS IS DISCONNECTING MEANS FOR STREET LIGHTS.

NOT IN SCOPE

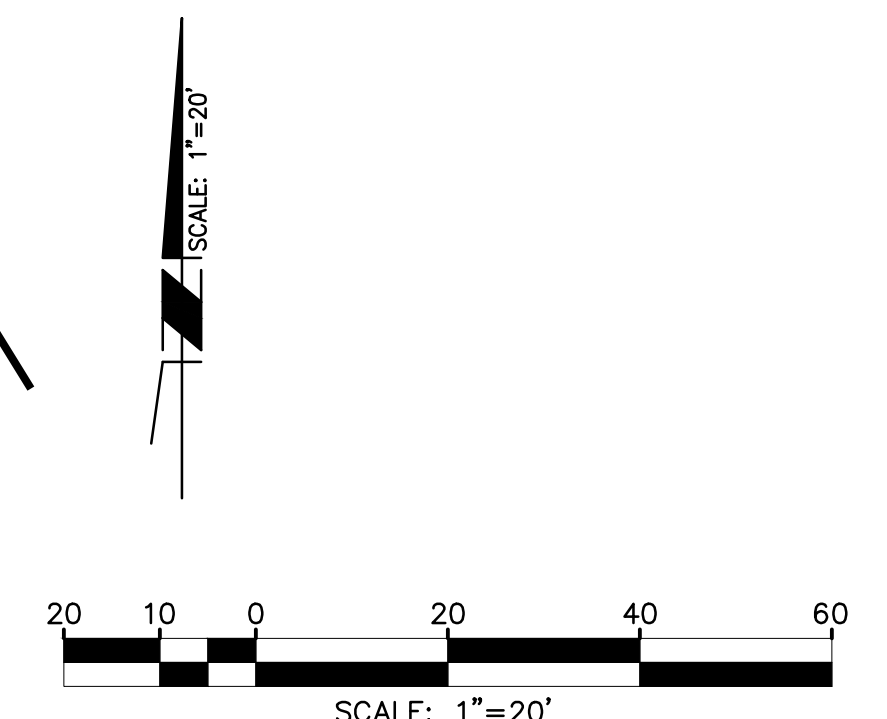


MATCHLINE - SEE SHEET E-2.1

SPECIAL NOTES FOR MIRAMAR COLLEGE:
THE FOLLOWING NOTES PROVIDED BY THE DISTRICT FOR CONTRACTOR REFERENCE:

CAUTION:
1. THE CONTRACTOR MAY ENCOUNTER OLD MILITARY ORDNANCE. THE CONTRACTOR SHALL NOTIFY THE DISTRICT IMMEDIATELY IF THEY ENCOUNTER ANY ORDNANCE.

2. GEOTECHNICAL INVESTIGATIONS FOR THE SURROUNDING IMPROVEMENTS DESCRIBE THE UNDERLYING SOILS AS SANDY CLAY OVER HIGHLY CEMENTED GRAVEL AND COBBLE CONGLOMERATE (LINDA VISTA FORMATION AND STADIUM CONGLOMERATE). NO GROUNDWATER WAS ENCOUNTERED. TRENCHING INTO THE LINDA VISTA FORMATION AND STADIUM CONGLOMERATE WILL BE DIFFICULT AND MAY REQUIRE HEAVY EQUIPMENT.



APPROVED BY	APPROVED BY
D.S.A.	DISTRICT ARCHITECT

DRAWN RG
CHECKED GR
REVISION 1

ELECTRICAL SITE PLAN	
MIRAMAR COLLEGE INFRASTRUCTURE AND SITE DEVELOPMENT PHASE II (SOUTH) SCOPE "B"	
SAN DIEGO COMMUNITY COLLEGE DISTRICT	

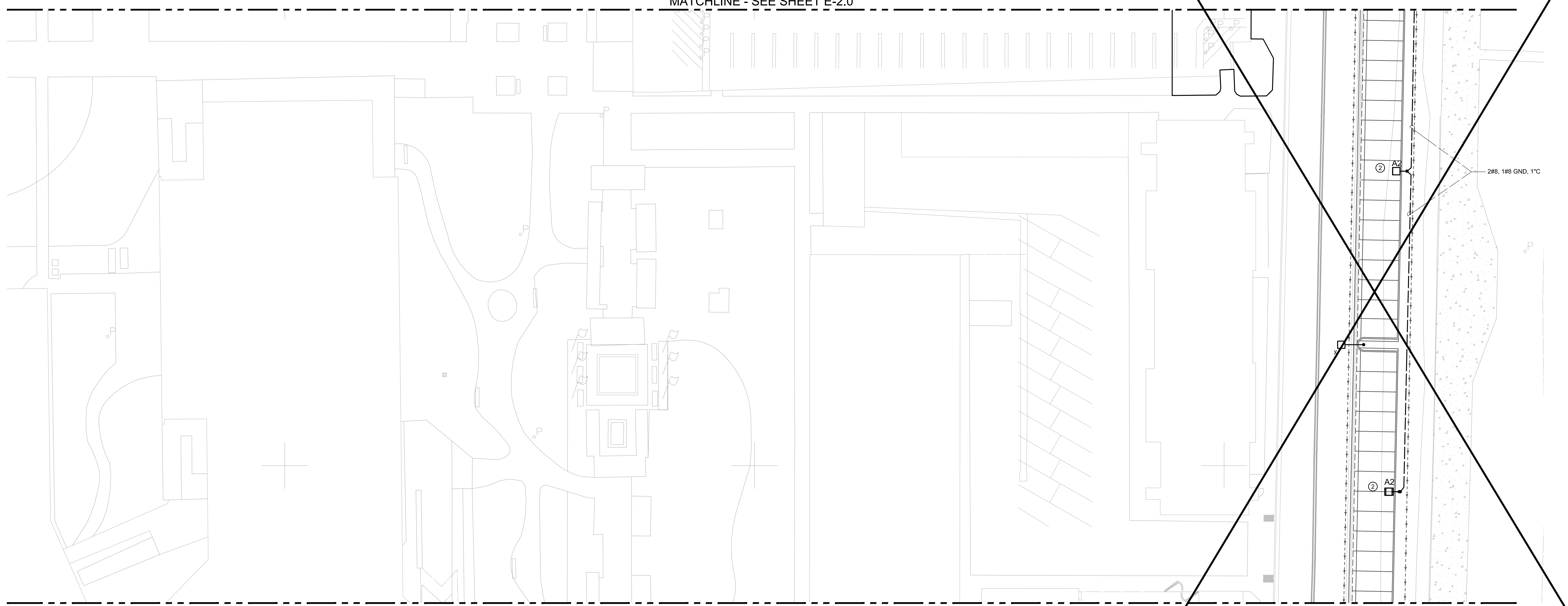
DATE SEPTEMBER 12, 2017
SHEET 33
E-2.0
OF 46

KEYNOTES

- ① NOT USED.
- ② NEW POLE MOUNTED LIGHT FIXTURES TO PROVIDE LIGHTING FOR NEW PARKING SPACES.

NOT IN SCOPE 

MATCHLINE - SEE SHEET E-2.0

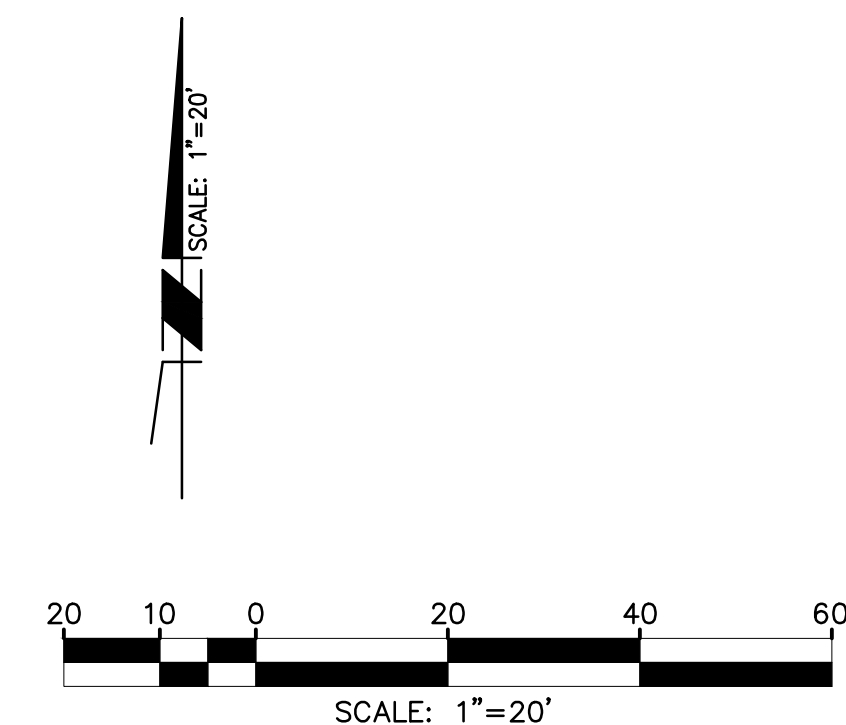


MATCHLINE - SEE SHEET E-2.2


SPECIAL NOTES FOR MIRAMAR COLLEGE:
THE FOLLOWING NOTES PROVIDED BY THE DISTRICT FOR CONTRACTOR REFERENCE:

CAUTION:
1. THE CONTRACTOR MAY ENCOUNTER OLD MILITARY ORDNANCE. THE CONTRACTOR SHALL NOTIFY THE DISTRICT IMMEDIATELY IF THEY ENCOUNTER ANY ORDNANCE.

2. GEOTECHNICAL INVESTIGATIONS FOR THE SURROUNDING IMPROVEMENTS DESCRIBE THE UNDERLYING SOILS AS SANDY CLAY OVER HIGHLY CEMENTED GRAVEL AND COBBLE CONGLOMERATE (LINDA VISTA FORMATION AND STADIUM CONGLOMERATE). NO GROUNDWATER WAS ENCOUNTERED. TRENCHING INTO THE LINDA VISTA FORMATION AND STADIUM CONGLOMERATE WILL BE DIFFICULT AND MAY REQUIRE HEAVY EQUIPMENT.



APPROVED BY	APPROVED BY
D.S.A.	DISTRICT ARCHITECT

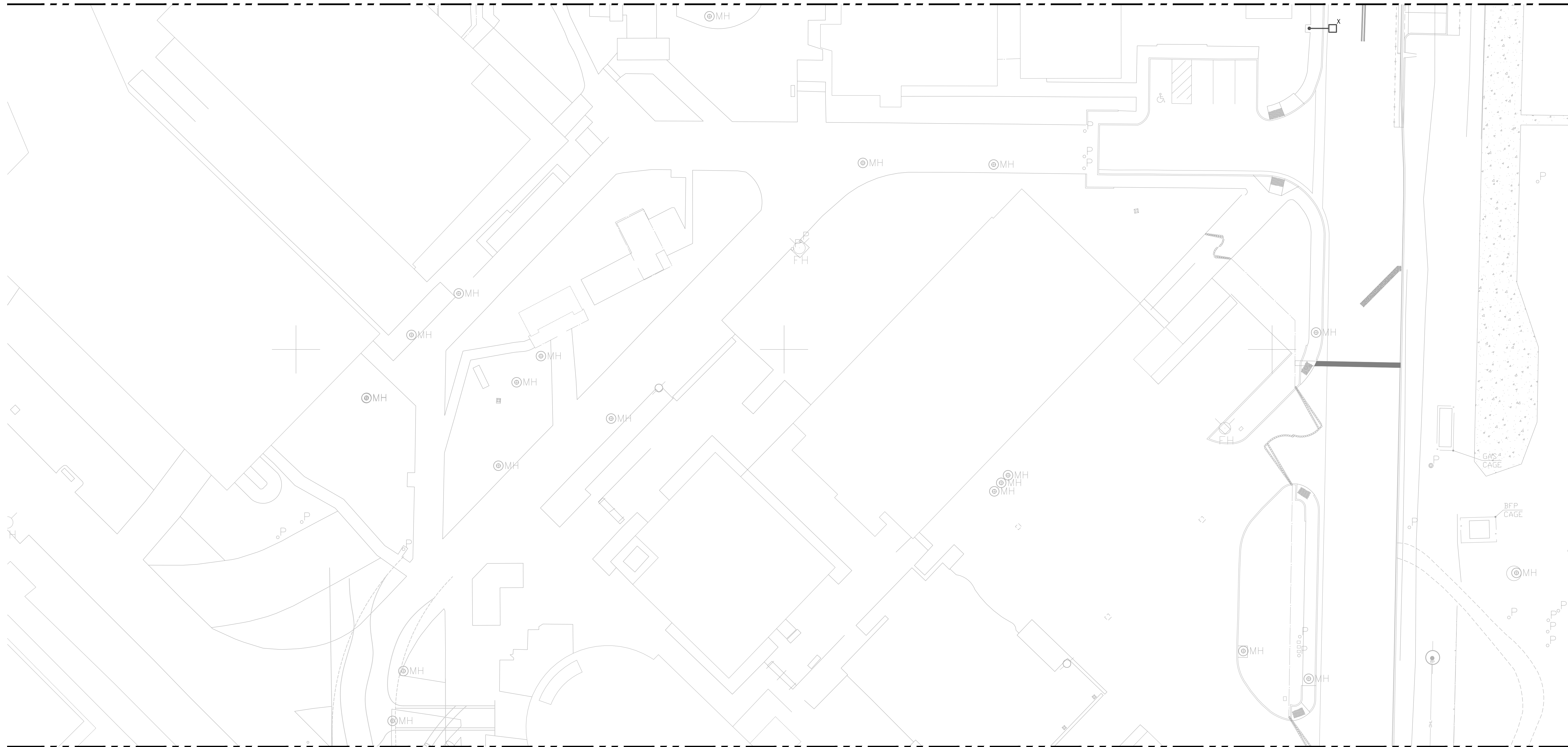
DRAWN RG
CHECKED GR
REVISION 

ELECTRICAL SITE PLAN	
MIRAMAR COLLEGE INFRASTRUCTURE AND SITE DEVELOPMENT PHASE II (SOUTH) SCOPE "B"	
SAN DIEGO COMMUNITY COLLEGE DISTRICT	

DATE SEPTEMBER 12, 2017
SHEET 34
E-2.1
OF 46

NO ELECTRICAL WORK
ON THIS SHEET

MATCHLINE - SEE SHEET E-2.1

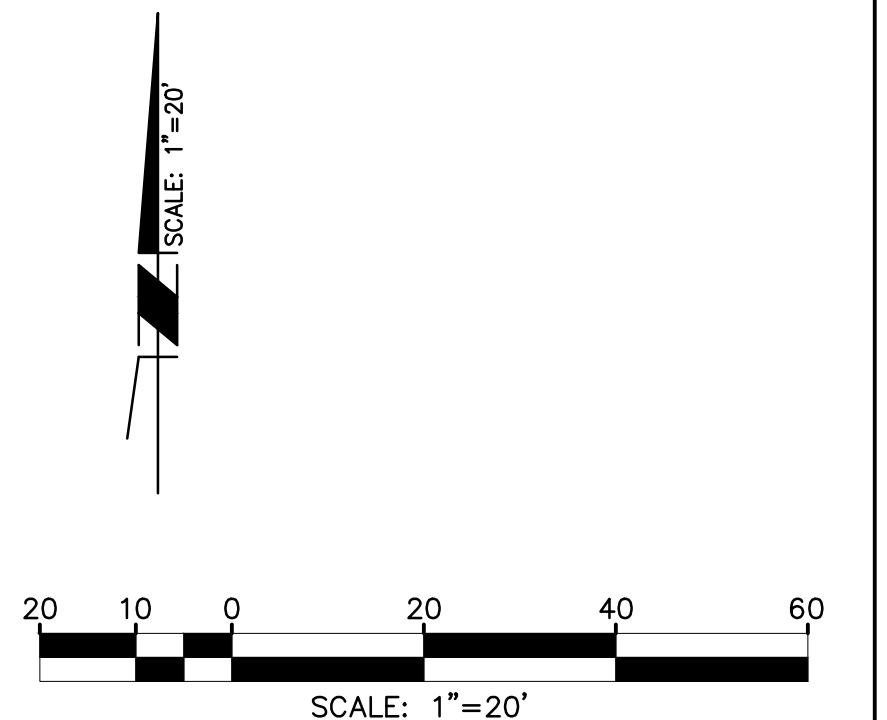


MATCHLINE - SEE SHEET E-2.3

SPECIAL NOTES FOR MIRAMAR COLLEGE:
THE FOLLOWING NOTES PROVIDED BY THE DISTRICT FOR CONTRACTOR REFERENCE:

CAUTION:
1. THE CONTRACTOR MAY ENCOUNTER OLD MILITARY ORDNANCE. THE CONTRACTOR SHALL NOTIFY THE DISTRICT IMMEDIATELY IF THEY ENCOUNTER ANY ORDNANCE.

2. GEOTECHNICAL INVESTIGATIONS FOR THE SURROUNDING IMPROVEMENTS DESCRIBE THE UNDERLYING SOILS AS SANDY CLAY OVER HIGHLY CEMENTED GRAVEL AND COBBLE CONGLOMERATE (LINDA VISTA FORMATION AND STADIUM CONGLOMERATE). NO GROUNDWATER WAS ENCOUNTERED. TRENCHING INTO THE LINDA VISTA FORMATION AND STADIUM CONGLOMERATE WILL BE DIFFICULT AND MAY REQUIRE HEAVY EQUIPMENT.

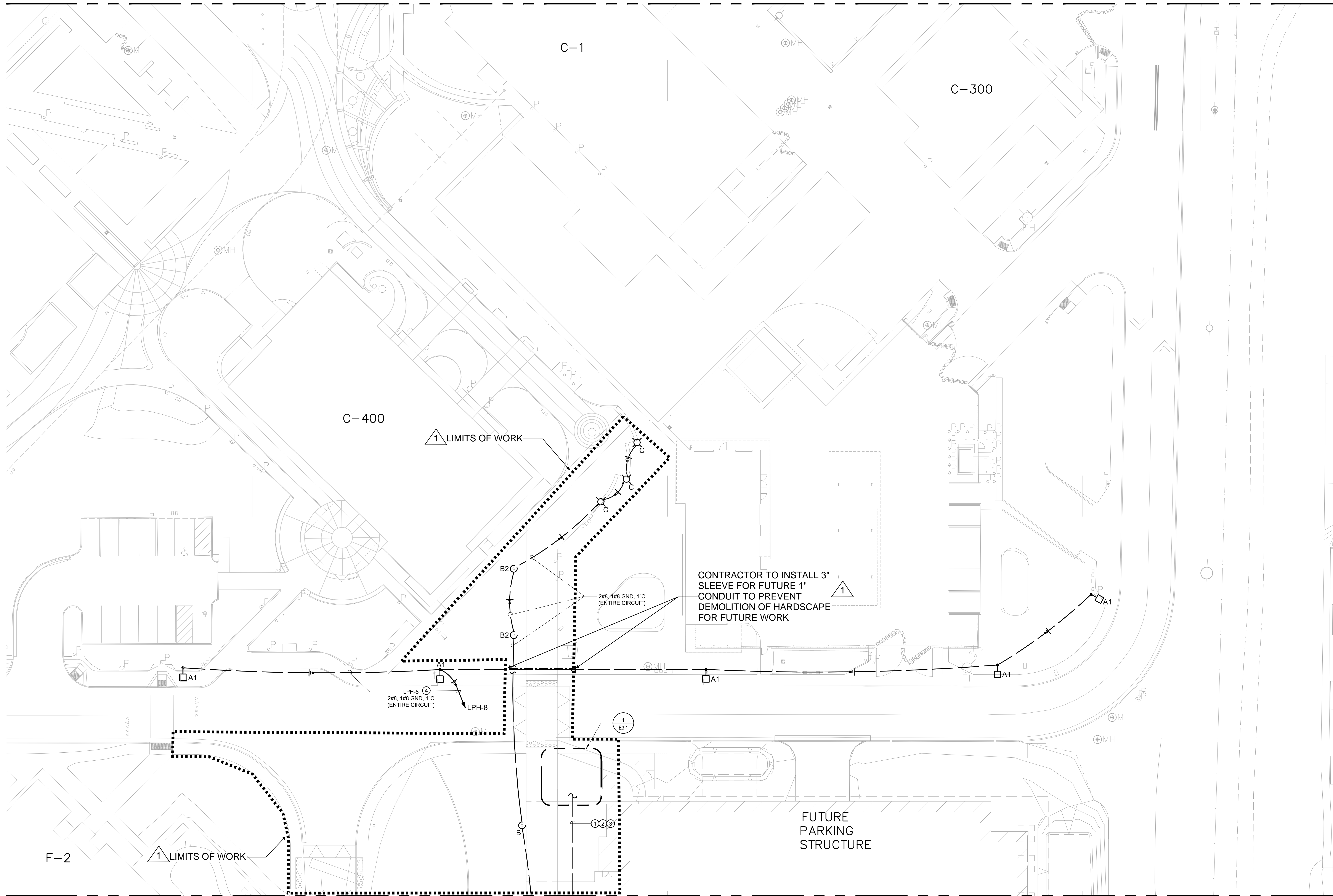


	APPROVED BY	APPROVED BY	DRAWN RG	ELECTRICAL SITE PLAN MIRAMAR COLLEGE INFRASTRUCTURE AND SITE DEVELOPMENT PHASE II (SOUTH) SCOPE "B" SAN DIEGO COMMUNITY COLLEGE DISTRICT		DATE SEPTEMBER 12, 2017
			CHECKED GR			REVISION 1
	D.S.A.	DISTRICT ARCHITECT				E-2.2 OF 46

KEYNOTES

- ① 2#10 & 1#10 GND., 1" C. FOR POWER TO NEW CAMPUS DIRECTORY SIGN.
- ② 2#10 & 1#10 GND., 1" C. FOR POWER TO IT PHONE.
- ③ 1" C.O. TO IT PHONE.
- ④ RUN LPH-8 HOMERUN TO EXISTING PULLBOX "B" LOCATED APPROXIMATELY 40' EAST OF THE N.E. CORNER OF THE A-1 ADMIN BUILDING.

MATCHLINE - SEE SHEET E-2.2

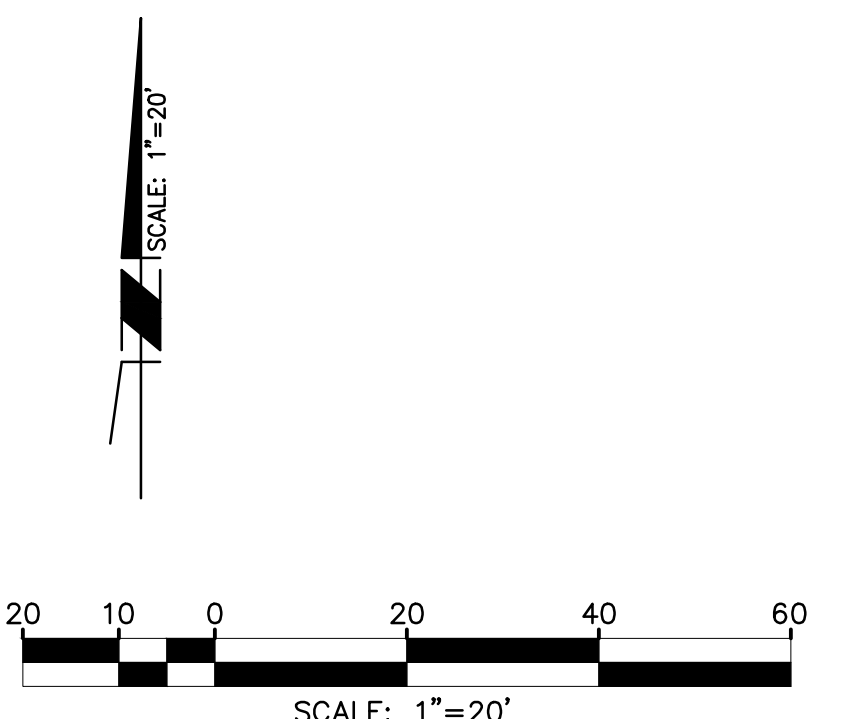


MATCHLINE - SEE SHEET E-2.4

SPECIAL NOTES FOR MIRAMAR COLLEGE:
THE FOLLOWING NOTES PROVIDED BY THE DISTRICT FOR CONTRACTOR REFERENCE:

CAUTION:
1. THE CONTRACTOR MAY ENCOUNTER OLD MILITARY ORDNANCE. THE CONTRACTOR SHALL NOTIFY THE DISTRICT IMMEDIATELY IF THEY ENCOUNTER ANY ORDNANCE.

2. GEOTECHNICAL INVESTIGATIONS FOR THE SURROUNDING IMPROVEMENTS DESCRIBE THE UNDERLYING SOILS AS SANDY CLAY OVER HIGHLY CEMENTED GRAVEL AND COBBLE CONGLOMERATE (LINDA VISTA FORMATION AND STADIUM CONGLOMERATE). NO GROUNDWATER WAS ENCOUNTERED. TRENCHING INTO THE LINDA VISTA FORMATION AND STADIUM CONGLOMERATE WILL BE DIFFICULT AND MAY REQUIRE HEAVY EQUIPMENT.



APPROVED BY	APPROVED BY
D.S.A.	DISTRICT ARCHITECT

DRAWN RG
CHECKED GR
REVISION ①

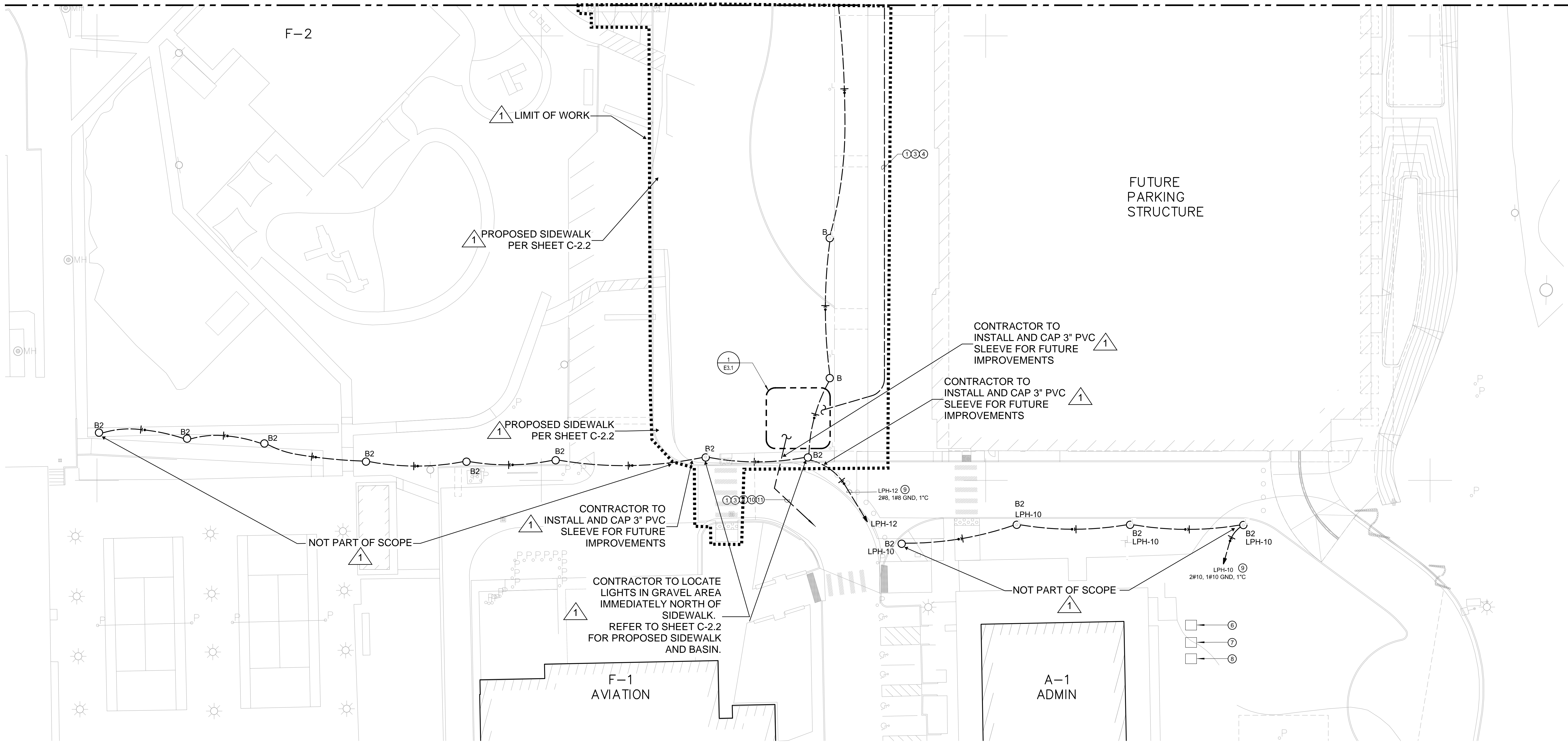
ELECTRICAL SITE PLAN	
MIRAMAR COLLEGE INFRASTRUCTURE AND SITE DEVELOPMENT PHASE II (SOUTH) SCOPE "B"	
SAN DIEGO COMMUNITY COLLEGE DISTRICT	

DATE SEPTEMBER 12, 2017
SHEET 36
E-2.3 OF 46

KEYNOTES

- ① 2#10 & 1#10 GND, 1" C. FOR POWER TO NEW CAMPUS DIRECTORY SIGN.
- ② NOT USED.
- ③ 2#10 & 1#10 GND, 1" C. FOR POWER TO IT PHONE.
- ④ 1" C.O. TO IT PHONE.
- ⑤ NOT USED.
- ⑥ EXISTING PULLBOX "A" WITH SIX 120V CIRCUITS "MDF" - 13, 15, 17 AND "LP1B" - 37, 39, 41. CIRCUITS ALL ORIGINATE IN A-1 ADMIN BUILDING ELECTRICAL ROOM.
- ⑦ EXISTING PULLBOX "B" WITH SIX 277V CIRCUITS "LPH" - 8, 10, 12, 14, 16, 18. CIRCUITS ALL ORIGINATE IN A-1 ADMIN BUILDING ELECTRICAL ROOM.
- ⑧ EXISTING PULLBOX "C" WITH THREE 1" CONDUITS FOR DATA. CIRCUITS ALL ORIGINATE IN A-1 ADMIN BUILDING TELECOM / DATA ROOM.
- ⑨ RUN LPH-10 AND LPH-12 HOME RUNS TO EXISTING PULLBOX "B" LOCATED APPROXIMATELY 40' EAST OF THE N.E. CORNER OF THE A-1 ADMIN BUILDING.
- ⑩ RUN DIRECTORY SIGN AND IT PHONE 120V POWER CIRCUITS TO EXISTING PULLBOX "A" LOCATED APPROXIMATELY 40' EAST OF THE N.E. CORNER OF THE A-1 ADMIN BUILDING. CONNECT DIRECTORY SIGNS TO CIRCUIT LP1B-37 AND IT PHONE CIRCUIT TO LP1B-39.
- ⑪ RUN 1" C.O. FOR IT PHONE TO EXISTING PULLBOX "C" LOCATED ADJACENT TO PULLBOX "A" AND "B".

MATCHLINE - SEE SHEET E-2.3



MATCHLINE - SEE SHEET E-2.5

SPECIAL NOTES FOR MIRAMAR COLLEGE:
THE FOLLOWING NOTES PROVIDED BY THE DISTRICT FOR CONTRACTOR REFERENCE:

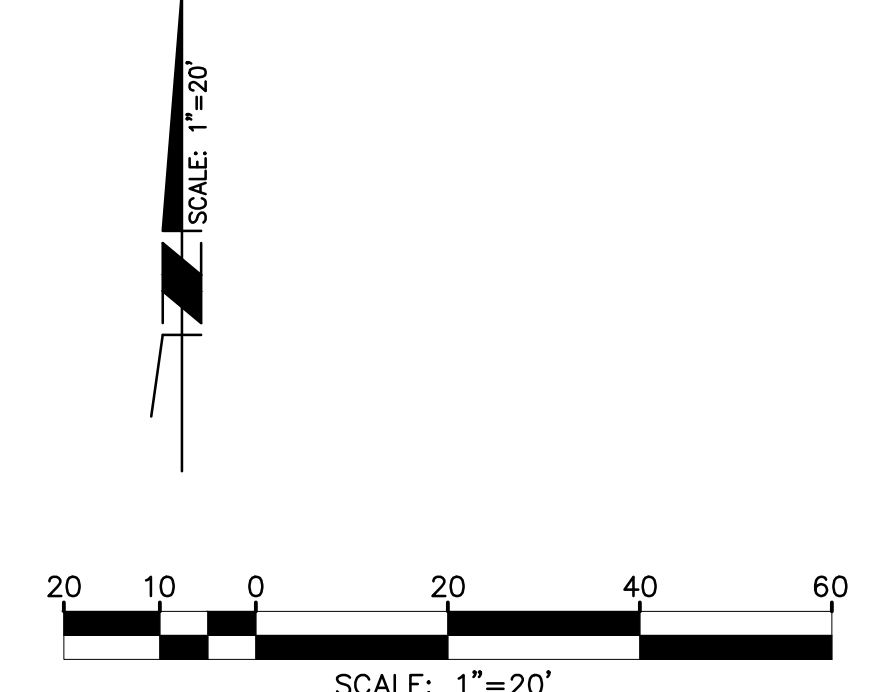
CAUTION:
1. THE CONTRACTOR MAY ENCOUNTER OLD MILITARY ORDNANCE. THE CONTRACTOR SHALL NOTIFY THE DISTRICT IMMEDIATELY IF THEY ENCOUNTER ANY ORDNANCE.

2. GEOTECHNICAL INVESTIGATIONS FOR THE SURROUNDING IMPROVEMENTS DESCRIBE THE UNDERLYING SOILS AS SANDY CLAY OVER HIGHLY CEMENTED GRAVEL AND COBBLE CONGLOMERATE (LINDA VISTA FORMATION AND STADIUM CONGLOMERATE). NO GROUNDWATER WAS ENCOUNTERED. TRENCHING INTO THE LINDA VISTA FORMATION AND STADIUM CONGLOMERATE WILL BE DIFFICULT AND MAY REQUIRE HEAVY EQUIPMENT.



APPROVED BY	APPROVED BY	DRAWN RG
		CHECKED GR
		REVISION ①
D.S.A.	DISTRICT ARCHITECT	

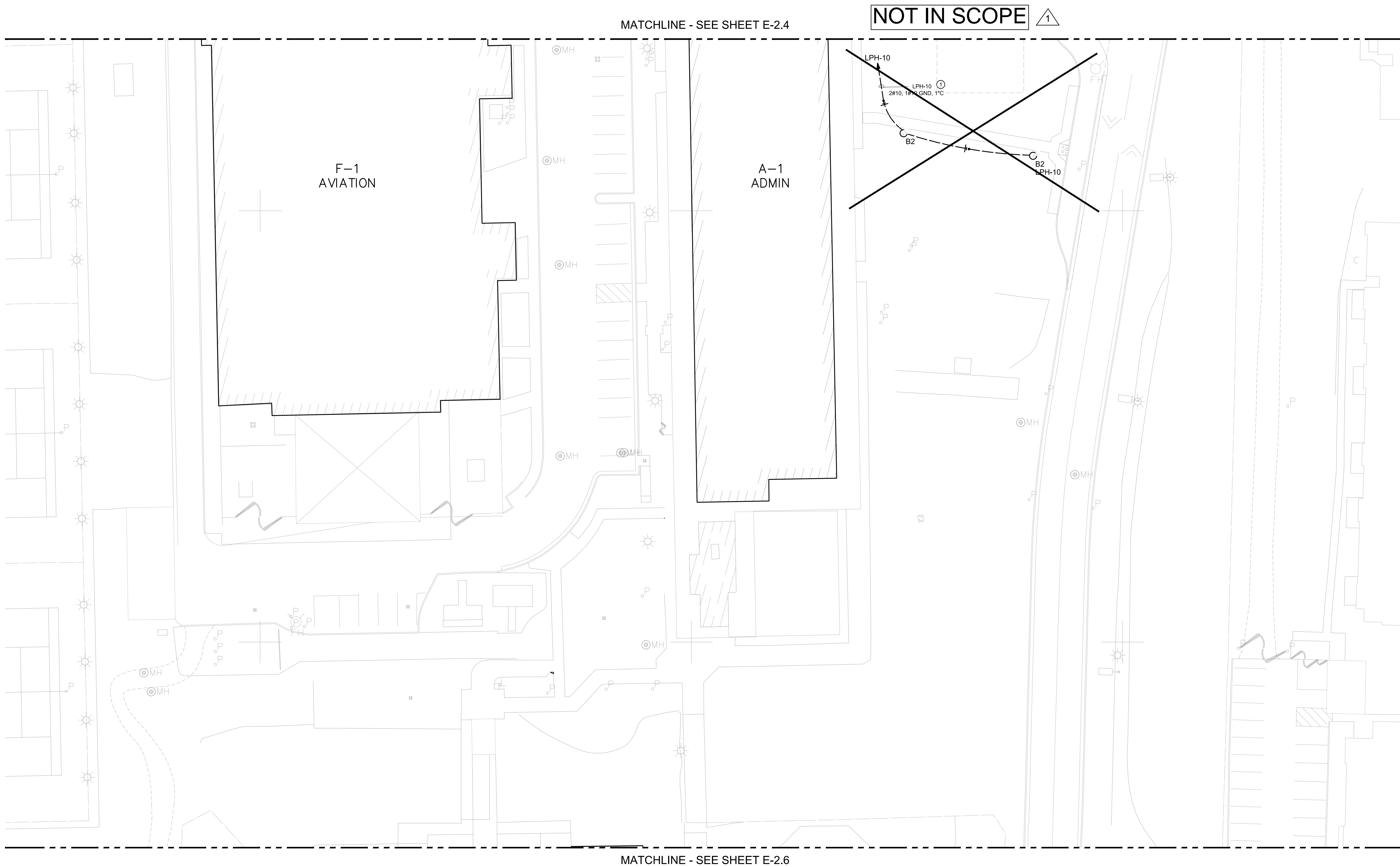
ELECTRICAL SITE PLAN		DATE SEPTEMBER 12, 2017
MIRAMAR COLLEGE INFRASTRUCTURE AND SITE DEVELOPMENT PHASE II (SOUTH) SCOPE "B"		SHEET 37
SAN DIEGO COMMUNITY COLLEGE DISTRICT		E-2.4 OF 46



2017-09-12 - 100% CONSTRUCTION DOCUMENTS - SCOPE "B"

KEYNOTES

- ① RUN LPH-10 HOME RUN TO EXISTING PULLBOX 18" LOCATED APPROXIMATELY 40' EAST OF THE N.E. CORNER OF THE A-1 ADMIN BUILDING.



MATCHLINE - SEE SHEET E-2.4

NOT IN SCOPE

MATCHLINE - SEE SHEET E-2.6

SPECIAL NOTES FOR MIRAMAR COLLEGE:
THE FOLLOWING NOTES PROVIDED BY THE DISTRICT FOR CONTRACTOR REFERENCE:

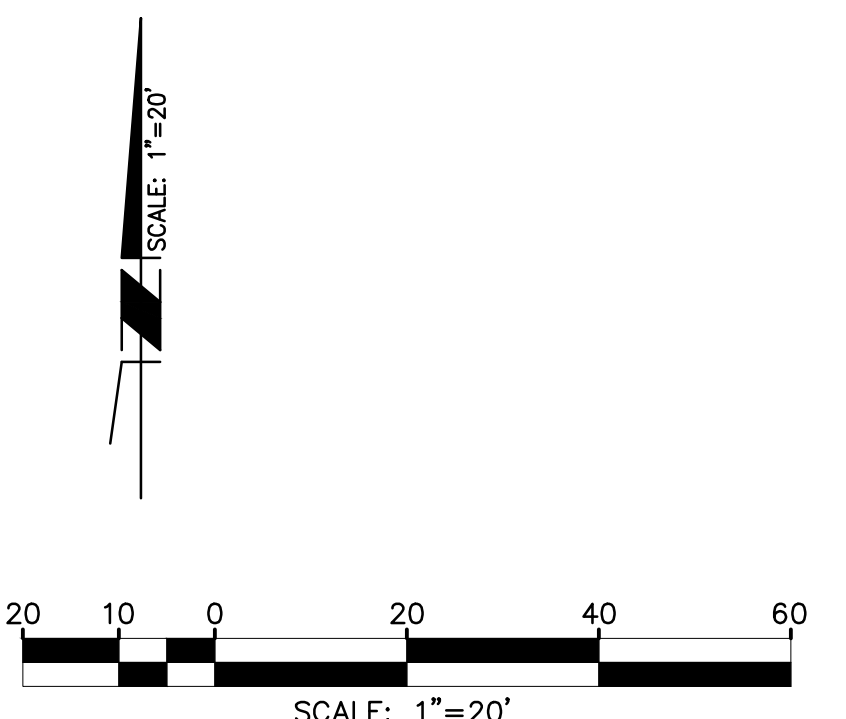
CAUTION:
1. THE CONTRACTOR MAY ENCOUNTER OLD MILITARY ORDNANCE. THE CONTRACTOR SHALL NOTIFY THE DISTRICT IMMEDIATELY IF THEY ENCOUNTER ANY ORDNANCE.

2. GEOTECHNICAL INVESTIGATIONS FOR THE SURROUNDING IMPROVEMENTS DESCRIBE THE UNDERLYING SOILS AS SANDY CLAY OVER HIGHLY CEMENTED GRAVEL AND COBBLE CONGLOMERATE (LINDA VISTA FORMATION AND STADIUM CONGLOMERATE). NO GROUNDWATER WAS ENCOUNTERED. TRENCHING INTO THE LINDA VISTA FORMATION AND STADIUM CONGLOMERATE WILL BE DIFFICULT AND MAY REQUIRE HEAVY EQUIPMENT.



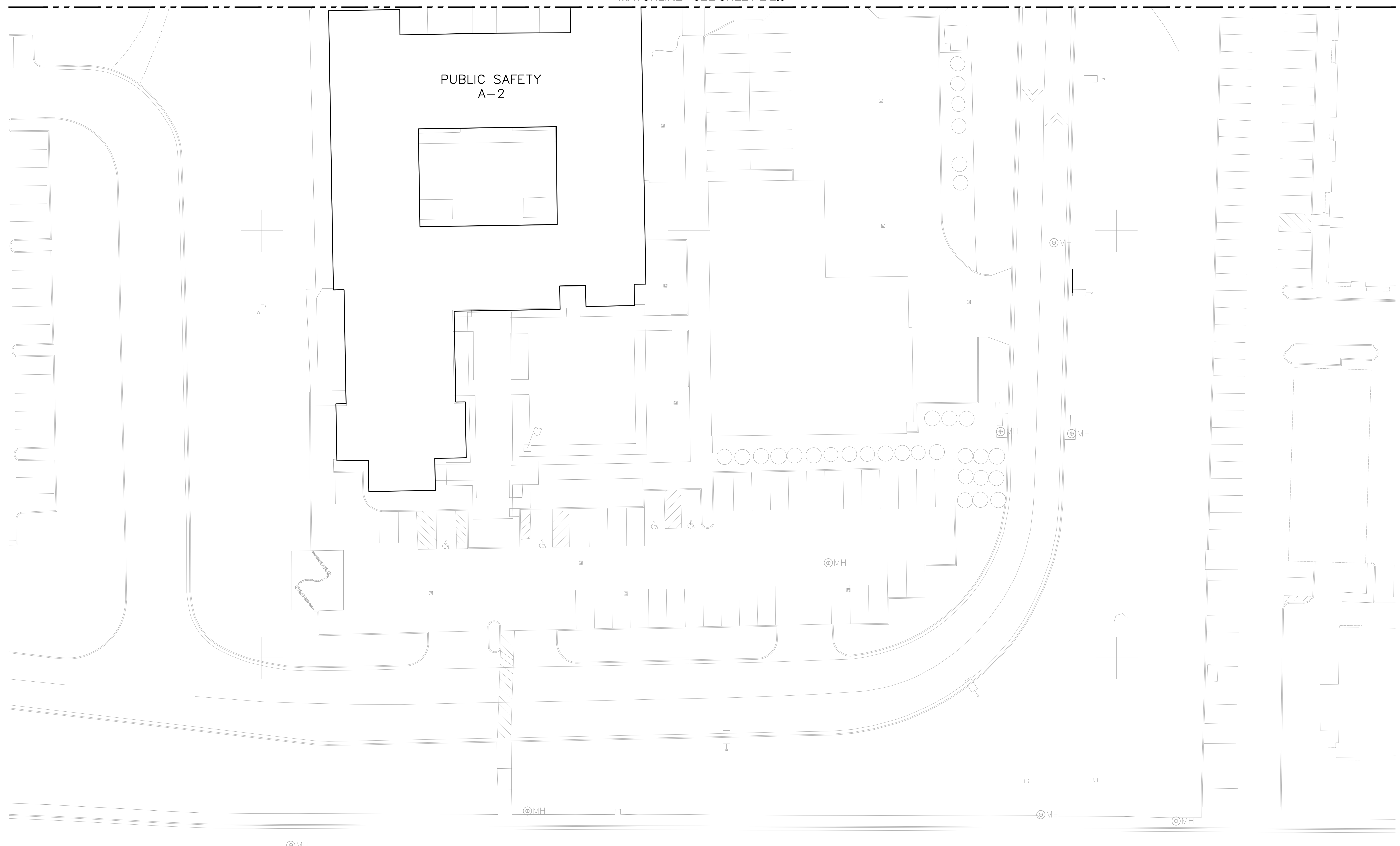
APPROVED BY	APPROVED BY
D.S.A.	DISTRICT ARCHITECT

DRAWN RG	ELECTRICAL SITE PLAN		DATE SEPTEMBER 12, 2017
CHECKED GR			SHEET 38
REVISION 	MIRAMAR COLLEGE INFRASTRUCTURE AND SITE DEVELOPMENT PHASE II (SOUTH) SCOPE "B"		E-2.5
SAN DIEGO COMMUNITY COLLEGE DISTRICT			OF 46



NO ELECTRICAL WORK
ON THIS SHEET

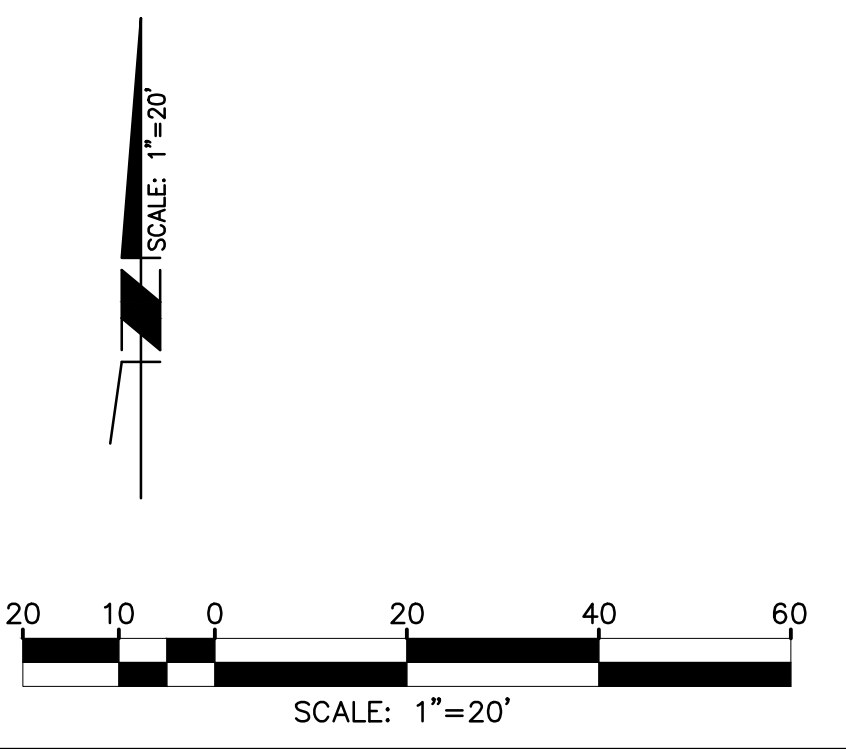
MATCHLINE - SEE SHEET E-2.5



SPECIAL NOTES FOR MIRAMAR COLLEGE:
THE FOLLOWING NOTES PROVIDED BY THE DISTRICT FOR CONTRACTOR REFERENCE:

CAUTION:
1. THE CONTRACTOR MAY ENCOUNTER OLD MILITARY ORDNANCE. THE CONTRACTOR SHALL NOTIFY THE DISTRICT IMMEDIATELY IF THEY ENCOUNTER ANY ORDNANCE.

2. GEOTECHNICAL INVESTIGATIONS FOR THE SURROUNDING IMPROVEMENTS DESCRIBE THE UNDERLYING SOILS AS SANDY CLAY OVER HIGHLY CEMENTED GRAVEL AND COBBLE CONGLOMERATE (LINDA VISTA FORMATION AND STADIUM CONGLOMERATE). NO GROUNDWATER WAS ENCOUNTERED. TRENCHING INTO THE LINDA VISTA FORMATION AND STADIUM CONGLOMERATE WILL BE DIFFICULT AND MAY REQUIRE HEAVY EQUIPMENT.



RANDALL LAMB
Integrated Services - MEP Engineering | Technical Services | Building Services |
 Building Commissioning | Clean Energy Solutions | Energy Services |
 SAN DIEGO - SAN FRANCISCO
 4757 Palm Avenue (619) 713-5700
 La Mesa, California 91942-9252 Fax (619) 713-5701

08/22/2017
RL SD13029.00

APPROVED BY

D.S.A.

APPROVED BY

DISTRICT ARCHITECT

DRAWN
RG
CHECKED
GE
REVISION
1

ELECTRICAL SITE PLAN
MIRAMAR COLLEGE
INFRASTRUCTURE AND SITE
DEVELOPMENT PHASE II (SOUTH)
SCOPE "B"
 SAN DIEGO COMMUNITY COLLEGE DISTRICT

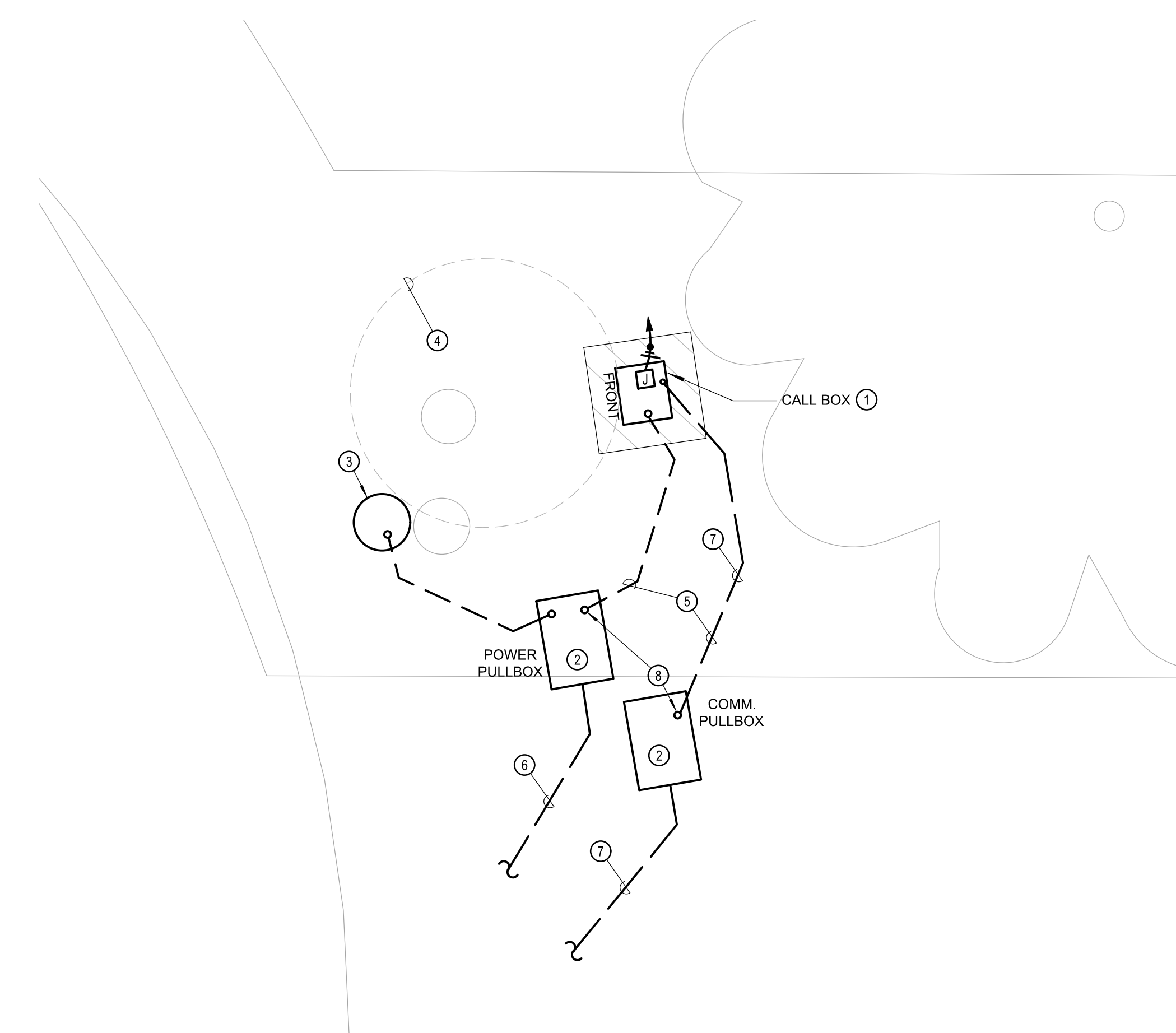
DATE
SEPTEMBER 12, 2017
SHEET
39
E-2.6
OF
46

GENERAL NOTE

- REFER TO SHEET E-1.0 PANELBOARD SCHEDULE AND LOAD CALCULATION.

NOTES

- PROVIDE "TALK-A-PHONE" RADIUS EMERGENCY PHONE TOWER, MODEL TYPE "EMT-MTR-OP4" WITH "ETP-4000" COMMUNICATION OPTION, ARM MOUNT FOR DOME CAMERA (CAMERA BY OTHERS), AND IP CONNECTIVITY. EMERGENCY CALL BOX SHALL BE PAINTED SAFETY BLUE WITH "CALL BOX" IN WHITE LETTERS. STUB-UP (1) 1" PVC POWER CONDUIT FOR 120V CONNECTION AND (1) 1" PVC COMMUNICATION CONDUIT FOR DATA CONNECTION. COORDINATE CONDUIT STUB-UP LOCATIONS WITH CALL BOX SUPPLIER. REFER TO 1/E-4.1 FOR AND FOUNDATION AND MOUNTING REQUIREMENTS.
- PROVIDE NEW 13-5/8" X 19" FLUSH IN-GRADE HANDHOLE. REFER TO DETAIL 2/E-4.1 FOR ADDITIONAL REQUIREMENTS. LABEL HANDHOLE "POWER" OR "COMM" RESPECTIVELY FOR SYSTEM SERVED.
- DIRECTORY SIGNAGE FURNISHED BY OTHERS. PROVIDE 120V POWER VIA POWER PULLBOX AS SHOWN.
- MAINTAIN A MINIMUM 5' CLEARANCE FROM FRONT OF TICKET MACHINE & CALL BOX TO EDGE OF ADA PATHWAY.
- EXTEND 1" CONDUIT FROM NEW HANDHOLE TO CALL BOX. STUB CONDUIT UP INTO TOWER USING FACTORY ELBOWS. REFER TO DETAIL 1/E-4.1 FOR ADDITIONAL INFORMATION.
- 2#10 & 1#10 GND., 1" C FOR DIRECTORY SIGN AND 2#10 & 1#10 GND., 1" C FOR IT PHONE.
- 1 - 1" C.O. FOR IT PHONE.
- SWEEP CONDUITS UP INTO HANDHOLE USING FACTORY ELBOWS. CAP CONDUIT 4" ABOVE EARTH.



ELECTRICAL ENLARGED PLAN - CALL BOX

SCALE: 1/2" = 1'-0"

1

SPECIAL NOTES FOR MIRAMAR COLLEGE:
THE FOLLOWING NOTES PROVIDED BY THE DISTRICT FOR CONTRACTOR REFERENCE:

CAUTION:

1. THE CONTRACTOR MAY ENCOUNTER OLD MILITARY ORDNANCE. THE CONTRACTOR SHALL NOTIFY THE DISTRICT IMMEDIATELY IF THEY ENCOUNTER ANY ORDNANCE.

2. GEOTECHNICAL INVESTIGATIONS FOR THE SURROUNDING IMPROVEMENTS DESCRIBE THE UNDERLYING SOILS AS SANDY CLAY OVER HIGHLY CEMENTED GRAVEL AND COBBLE CONGLOMERATE (LINDA VISTA FORMATION AND STADIUM CONGLOMERATE). NO GROUNDWATER WAS ENCOUNTERED. TRENCHING INTO THE LINDA VISTA FORMATION AND STADIUM CONGLOMERATE WILL BE DIFFICULT AND MAY REQUIRE HEAVY EQUIPMENT.

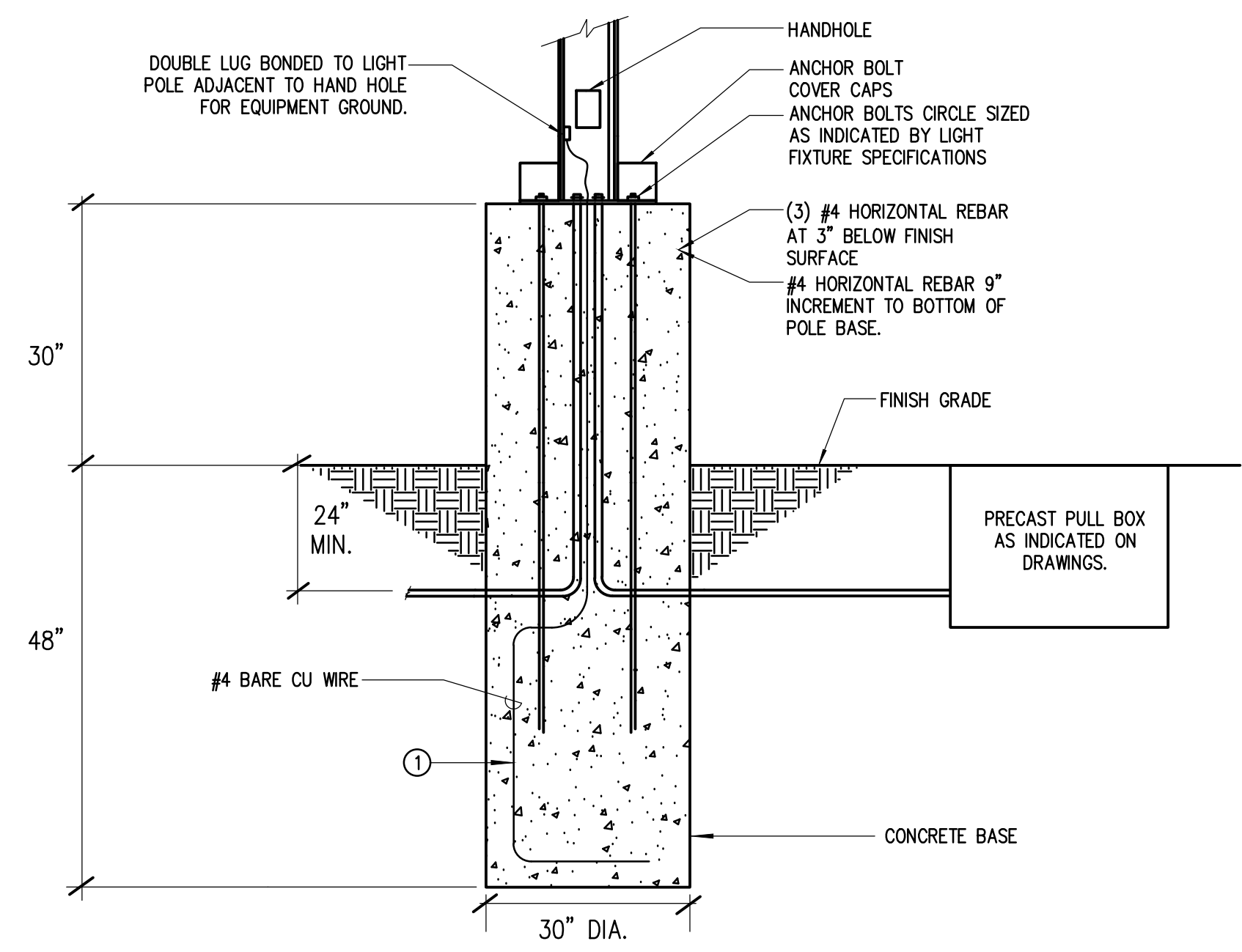


	APPROVED BY	APPROVED BY	DRAWN RG	ELECTRICAL SITE PLAN MIRAMAR COLLEGE INFRASTRUCTURE AND SITE DEVELOPMENT PHASE II (SOUTH) SCOPE "B"		DATE SEPTEMBER 12, 2017
			CHECKED GE			SHEET 40
	D.S.A.	DISTRICT ARCHITECT	REVISION 1	SAN DIEGO COMMUNITY COLLEGE DISTRICT		E-3.1 OF 46

2017-09-12 - 100% CONSTRUCTION DOCUMENTS - SCOPE "B"

SPECIAL NOTES FOR MIRAMAR COLLEGE:
THE FOLLOWING NOTES PROVIDED BY THE DISTRICT FOR CONTRACTOR REFERENCE:

- CAUTION:**
1. THE CONTRACTOR MAY ENCOUNTER OLD MILITARY ORDNANCE. THE CONTRACTOR SHALL NOTIFY THE DISTRICT IMMEDIATELY IF THEY ENCOUNTER ANY ORDNANCE.
2. GEOTECHNICAL INVESTIGATIONS FOR THE SURROUNDING IMPROVEMENTS DESCRIBE THE UNDERLYING SOILS AS SANDY CLAY OVER HIGHLY CEMENTED GRAVEL AND COBBLE CONGLOMERATE (LINDA VISTA FORMATION AND STADIUM CONGLOMERATE). NO GROUNDWATER WAS ENCOUNTERED. TRENCHING INTO THE LINDA VISTA FORMATION AND STADIUM CONGLOMERATE WILL BE DIFFICULT AND MAY REQUIRE HEAVY EQUIPMENT.

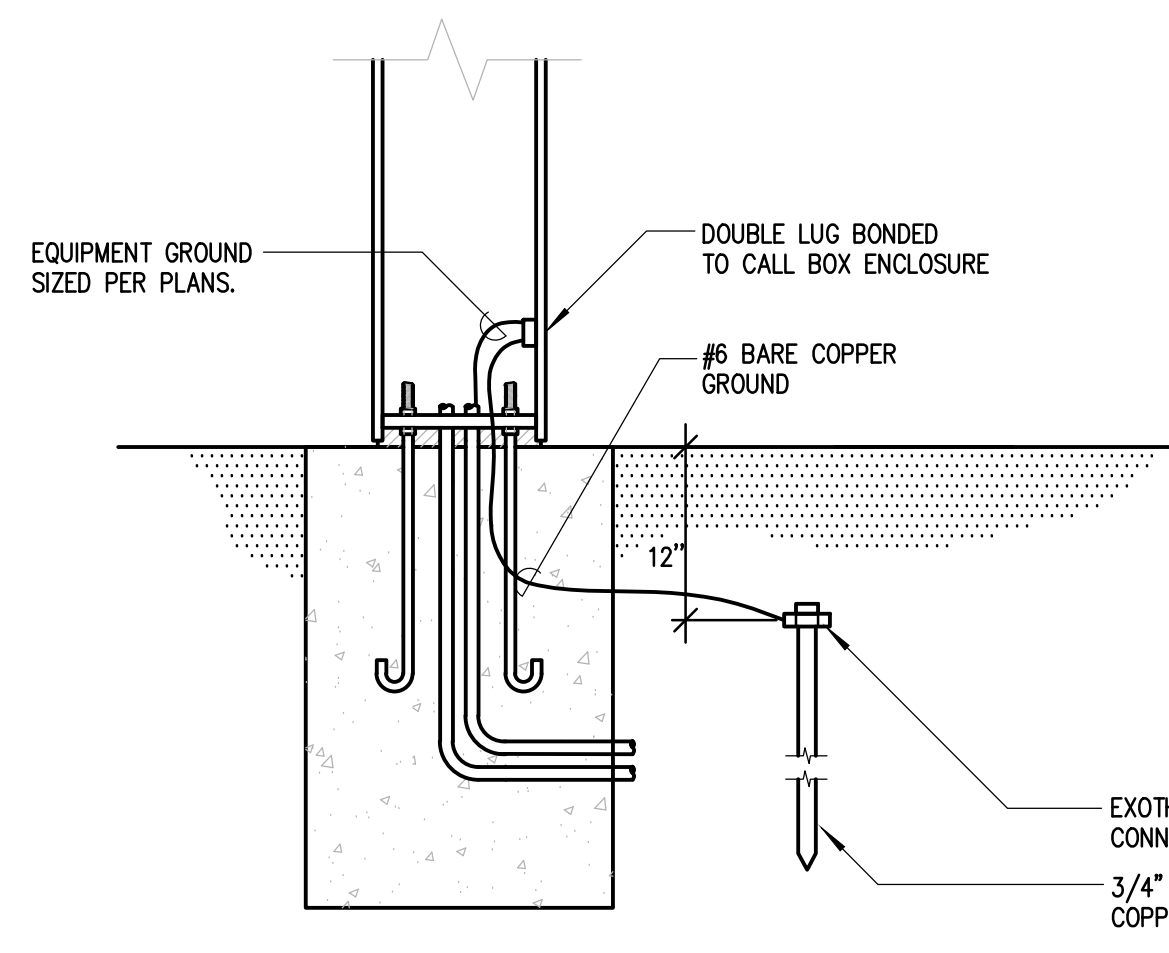


- GENERAL NOTES**
1. POLES LESS THAN 35 FEET IN HEIGHT ARE EXEMPT FROM DSA REVIEW. SEE POLE BASE DETAIL 5/E-4.1.
2. CONDUIT RACEWAY DIAMETER AS INDICATED ON PLANS.
3. PROVIDE TAMPER PROOF SCREW ON POLE HAND HOLE COVER.
- NOTES**
① PROVIDE MINIMUM 20' LENGTH OF #4 AWG BARE COPPER WIRE FROM BONDED LUG TO BOTTOM OF CONCRETE BASE. SUSPEND #4 AWG BARE COPPER WIRE MINIMUM OF 3\"/>

TYPE B POLE BASE DETAIL

NO SCALE

6

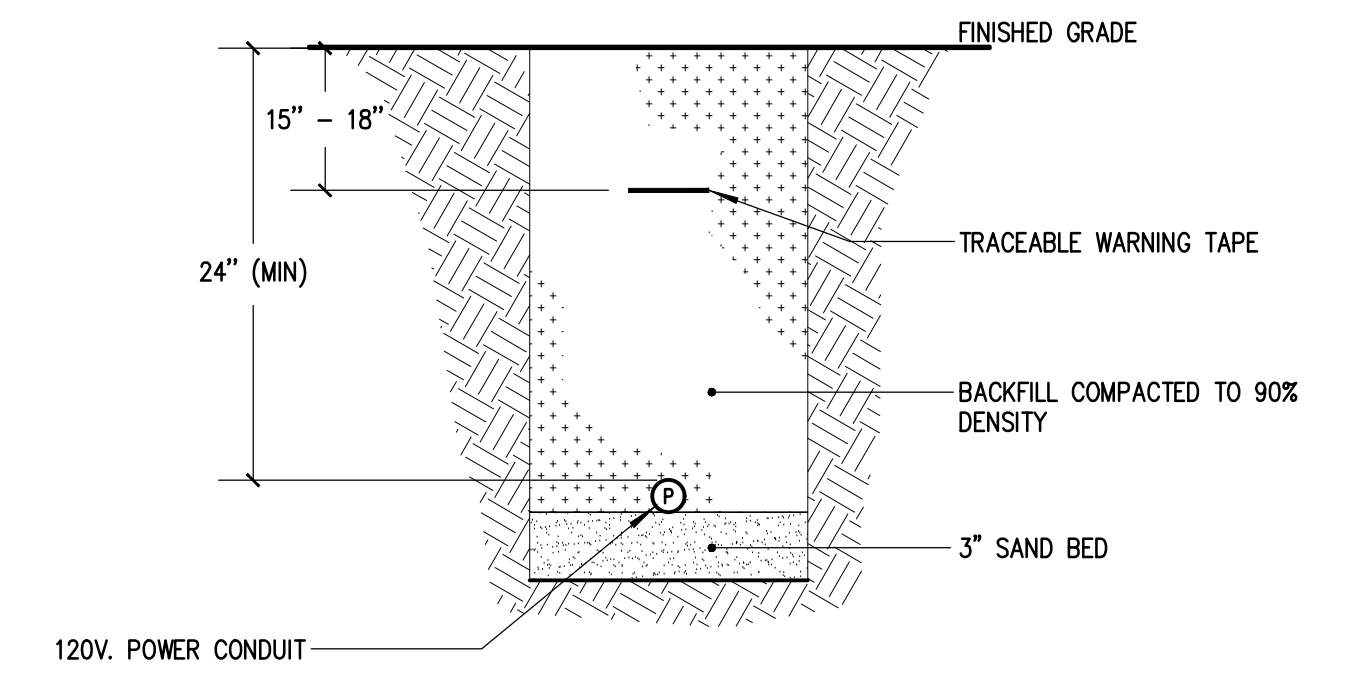


- GENERAL NOTES**
1. INSTALL GROUND ROD PER NEC ARTICLE 250.

CALL BOX GROUNDING DETAIL

NO SCALE

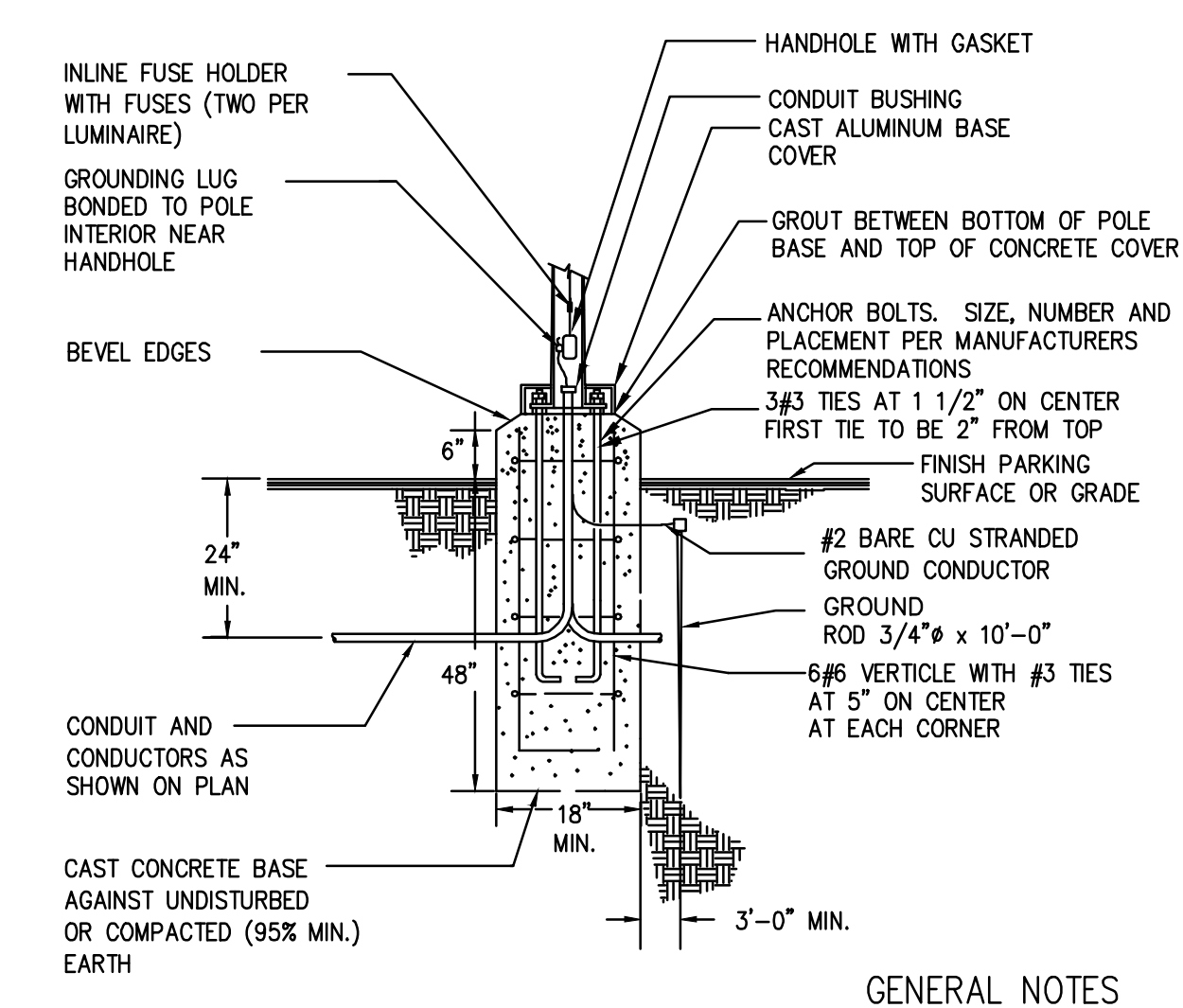
4



TYPICAL 120V TRENCHING DETAIL

NO SCALE

1

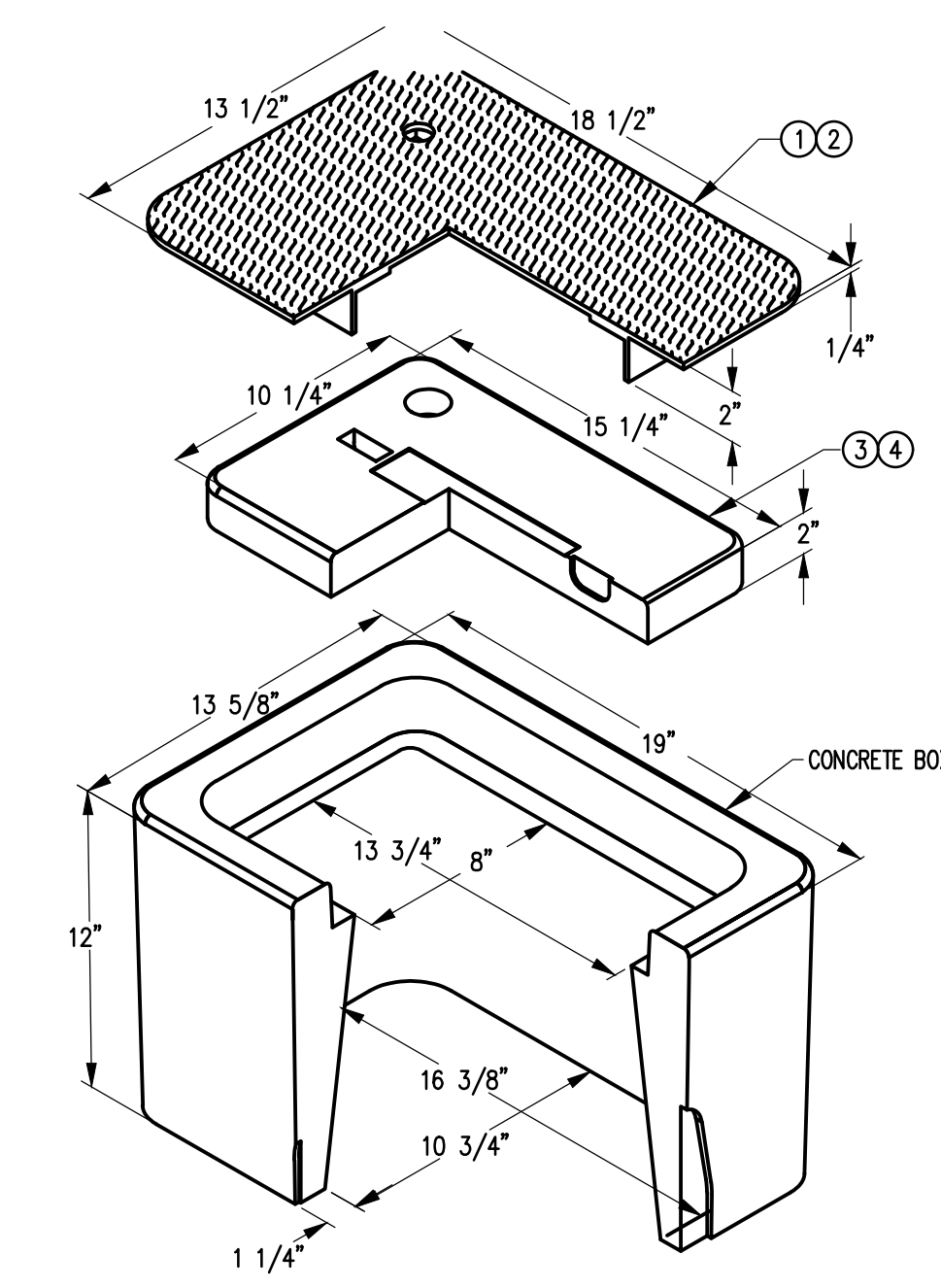


- GENERAL NOTES**
1. POLES LESS THAN 35 FEET IN HEIGHT ARE EXEMPT FROM DSA REVIEW. SEE POLE BASE DETAIL 5/E-4.1

TYPE A POLE BASE DETAIL

NO SCALE

5



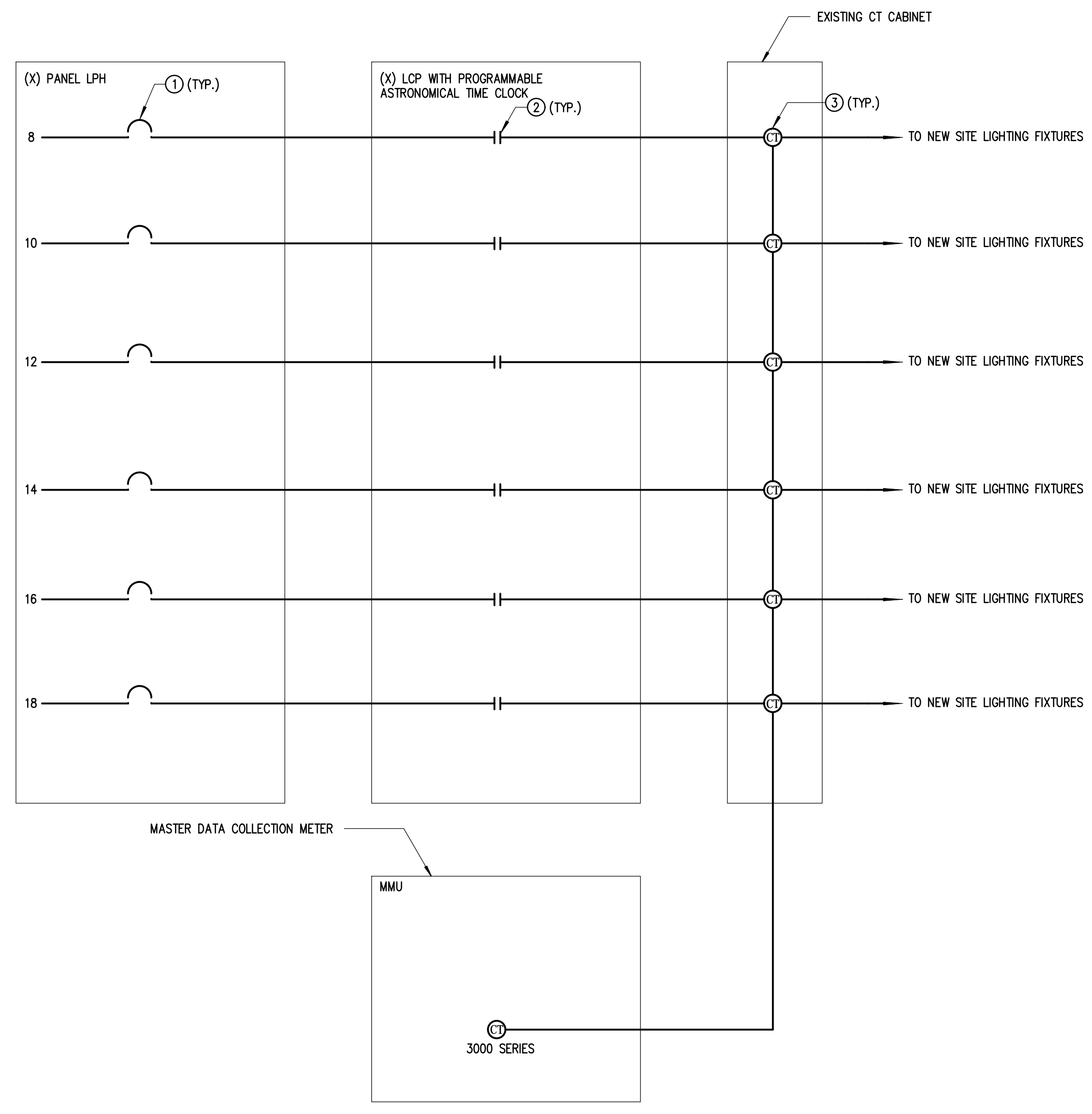
- GENERAL NOTES**
1. CONCRETE STRENGTH 5,000 PSI.
2. ALL PRECAST HANDHOLES SHALL BE MANUFACTURED IN A PCI CERTIFIED PLANT.
3. THE DESIGN CRITERIA FOR PRECAST HANDHOLES SHALL BE BASED ON THE 2010 CBC FOR SCHOOL PROJECTS.
4. HANDHOLE LID AND VAULT SHALL BE DESIGNED FOR HS20-44 TRUCK LOADING PER 2010 CBC TABLE 1607A.6 AND MARKED AS SUCH.
5. PROVIDE BOX DIMENSIONS AS NOTED UNLESS OTHERWISE SPECIFIED ON THE DRAWINGS.

- NOTES**
① CAST IRON COVER STAMPED "ELECTRICAL" FOR POWER AND LIGHTING BRANCH CIRCUITS WHEN USED IN TRAFFIC RATED AREA.
② CAST IRON COVER STAMPED "TELE/DATA" FOR LOW VOLTAGE CABLING WHEN USED IN TRAFFIC RATED AREA.
③ CONCRETE COVER STAMPED "ELECTRICAL" FOR POWER AND LIGHTING BRANCH CIRCUITS WHEN USED IN PARK RATED AREA.
④ CONCRETE COVER STAMPED "TELE/DATA" FOR LOW VOLTAGE CABLING WHEN USED IN PARK RATED AREA.

PULLBOX DETAIL

NO SCALE

2

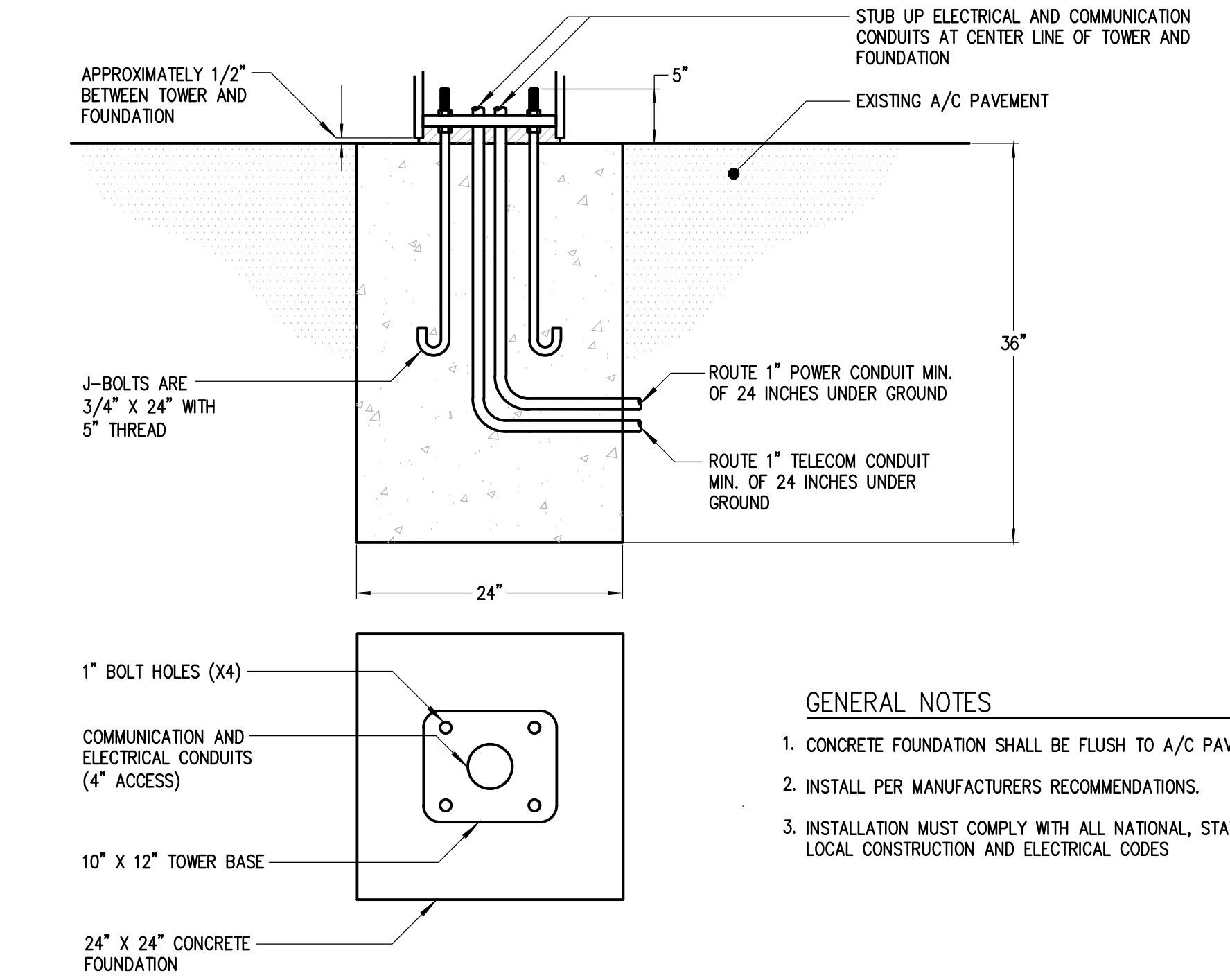


- NOTES**
① EXISTING 20A 1P CIRCUIT BREAKER IN EXISTING LPH.
② PROVIDE NEW LIGHTING CONTACTOR IN NEW LIGHTING CONTROL PANEL.
③ PROVIDE NEW CT'S IN EXISTING CT CABINET. ROUTE CT LEADS TO EXISTING MASTER DATA COLLECTION METER.

LIGHTING CONTROL DIAGRAM

NO SCALE

7



CALL BOX FOUNDATION AND MOUNTING DETAIL

NO SCALE

3

- GENERAL NOTES**
1. CONCRETE FOUNDATION SHALL BE FLUSH TO A/C PAVEMENT.
2. INSTALL PER MANUFACTURERS RECOMMENDATIONS.
3. INSTALLATION MUST COMPLY WITH ALL NATIONAL, STATE AND LOCAL CONSTRUCTION AND ELECTRICAL CODES

RANDALL LAMB
4757 Palm Avenue
La Mesa, California 91942-9252
(619) 713-5700
Fax (619) 713-5701

	APPROVED BY	APPROVED BY	DRAWN RG	ELECTRICAL DETAILS MIRAMAR COLLEGE INFRASTRUCTURE AND SITE DEVELOPMENT PHASE II (SOUTH) SCOPE "B" SAN DIEGO COMMUNITY COLLEGE DISTRICT		DATE SEPTEMBER 12, 2017
			CHECKED GR			SHEET 41
			REVISION 1		E-4.1 OF 46	